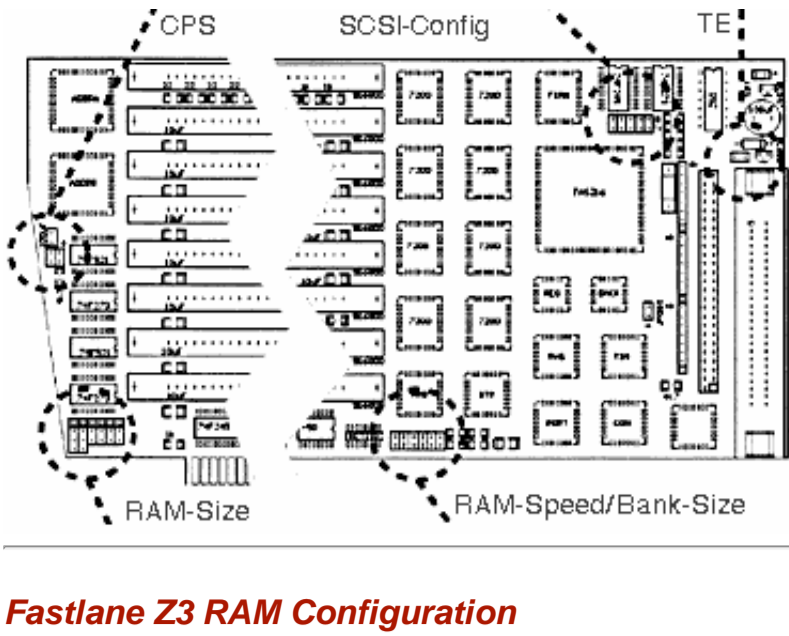
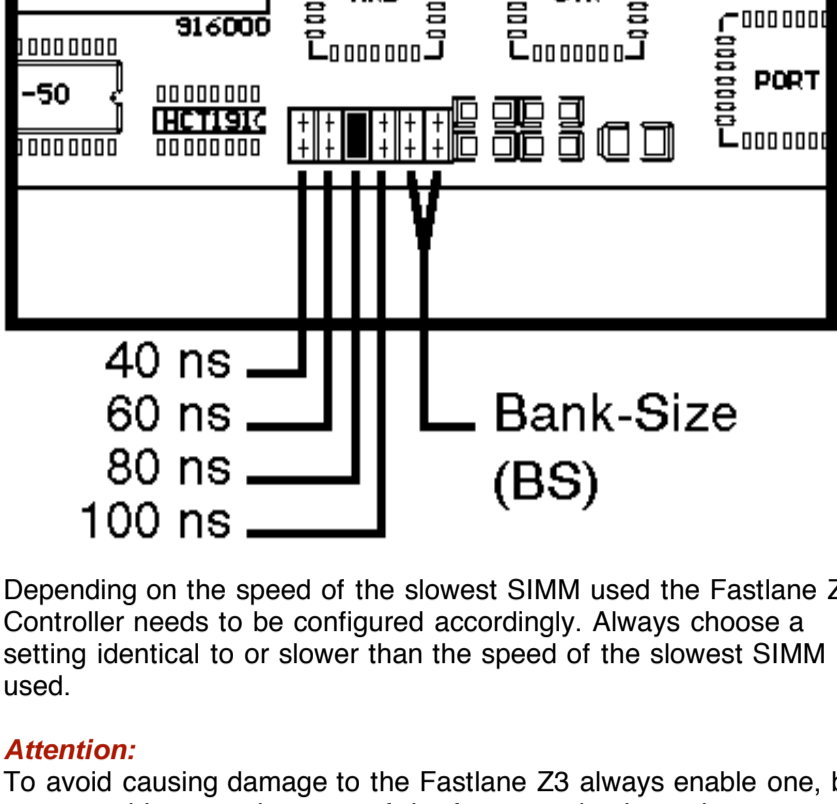


Fastlane Z3 Jumper Positions



Fastlane Z3 RAM Configuration

RAM Speed Configuration



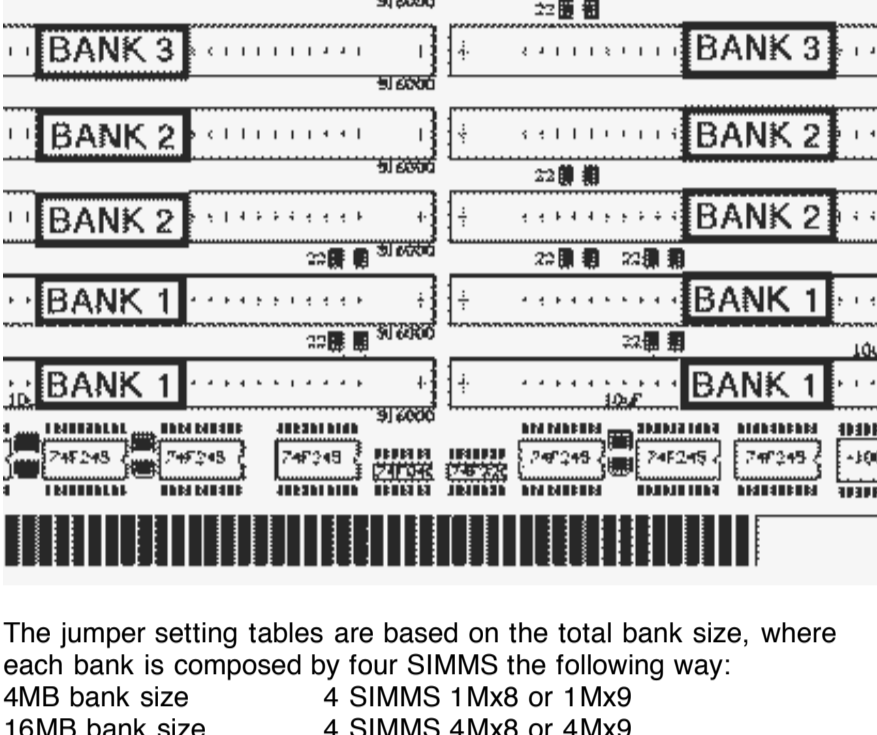
Depending on the speed of the slowest SIMM used the Fastlane Z3 Controller needs to be configured accordingly. Always choose a setting identical to or slower than the speed of the slowest SIMM used.

Attention:

To avoid causing damage to the Fastlane Z3 always enable one, but never enable more than one of the four speed selector jumpers.

Fastlane Z3 RAM Banks

As the Amiga uses a 32bit data bus, 4 modules of same size must be fitted into one bank. The allocation of the SIMM sockets to the 4 available banks is shown in the following picture.



The jumper setting tables are based on the total bank size, where each bank is composed by four SIMMS the following way:
 4MB bank size 4 SIMMS 1Mx8 or 1Mx9
 16MB bank size 4 SIMMS 4Mx8 or 4Mx9
 64MB Bank size 4 SIMMS 16Mx8 or 16Mx9

Configuration for 1 and 4 MB Modules

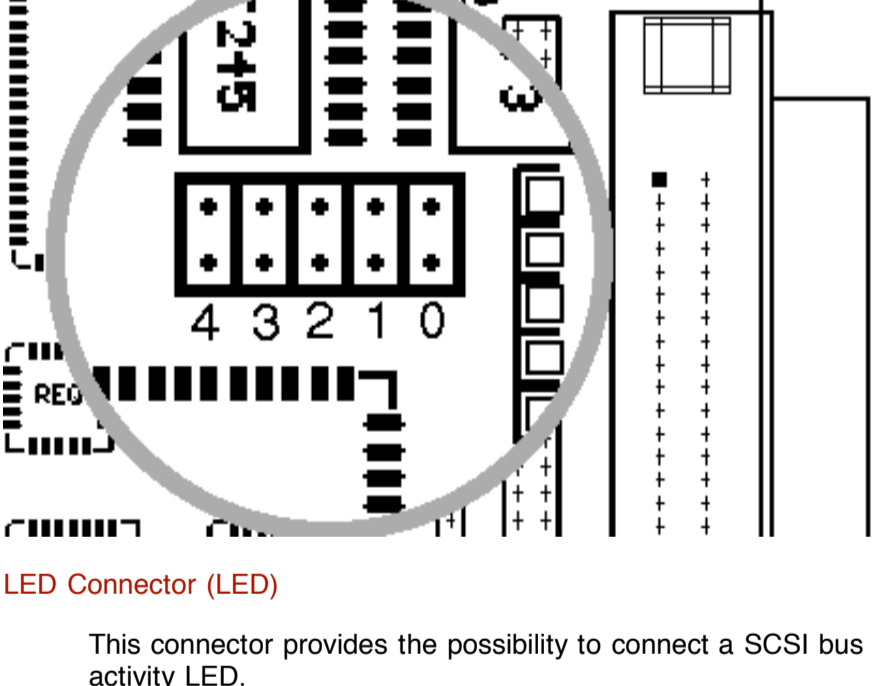
total	RAM Banks				CPS	Jumper	
	B1	B2	B3	B4		RAM-Size	BS
0M							
4M	4M						
8M	4M	4M					
12M	4M	4M	4M				
16M	4M	4M	4M	4M			
16M	16M						
20M	16M	4M					
24M	16M	4M	4M				
28M	16M	4M	4M	4M			
32M	16M	16M					
36M	16M	16M	4M				
40M	16M	16M	4M	4M			
48M	16M	16M	16M				
64M	16M	16M	16M	16M			

Configuration for 4 and 16 MB Modules

Version 2.4 of the Fastlane Z3 (SN32xxxx) and Fastlane Z3 reworked to Version 2.31 Fastlane can be configured to use 16 MB Modules. The use of 1 MB Modules is no more possible if 16 MB Modules are used.

ges.	RAM Banks				CPS	Jumper	
	B1	B2	B3	B4		RAM-Size	BS
16M	16M						
32M	16M	16M					
48M	16M	16M	16M				
64M	16M	16M	16M	16M			
64M	64M						
80M	64M	16M					
96M	64M	16M	16M				
112M	64M	16M	16M	16M			
128M	64M	64M					
144M	64M	64M	16M				
160M	64M	64M	16M	16M			
192M	64M	64M	64M				
256M	64M	64M	64M	64M			

Fastlane Z3 SCSI Configuration



LED Connector (LED)

This connector provides the possibility to connect a SCSI bus activity LED.

Termination Power (TP) (closed)

If that jumper is closed the SCSI module provides termination power to the SCSI bus.

Jumper 4: Synchron Auto-Enable (closed)

If this jumper is enabled FASTLANE Z3 will analyse information entered in the RDB (Rigid Disk Block) for the SCSI devices connected (especially hard disks or removable disks) to check whether the disk drives should operate in synchronous-mode. It will then automatically activate the synchronous-transmission mode. If this jumper is not enabled any synchron-entries will be ignored and the hard disks will operate in standard asynchronous mode.

Jumper 3: Slow Cable Mode (open)

This jumper should only be enabled if transmission problems occur when using extremely long cables, especially for the connection of external SCSI devices (normally only for cable longer than 5M).

Jumper 2: Slow Inquiry Mode (open)

This jumper should be enabled if hard disks are only recognised once the computer has been reset and not immediately after the computer has been reset (which mostly happens with older models). This is because the hard disk start-up time is too long. The Slow Inquiry Jumper lengthens the time which FASTLANE will wait for the response of the hard disk.

Jumper 1: RESERVED (open)

Jumper 0: Debug Mode (open)

Only for test purposes by authorised service personnel.

Fastlane External Connector

