

# Chapter 6

# *Schematics*

---

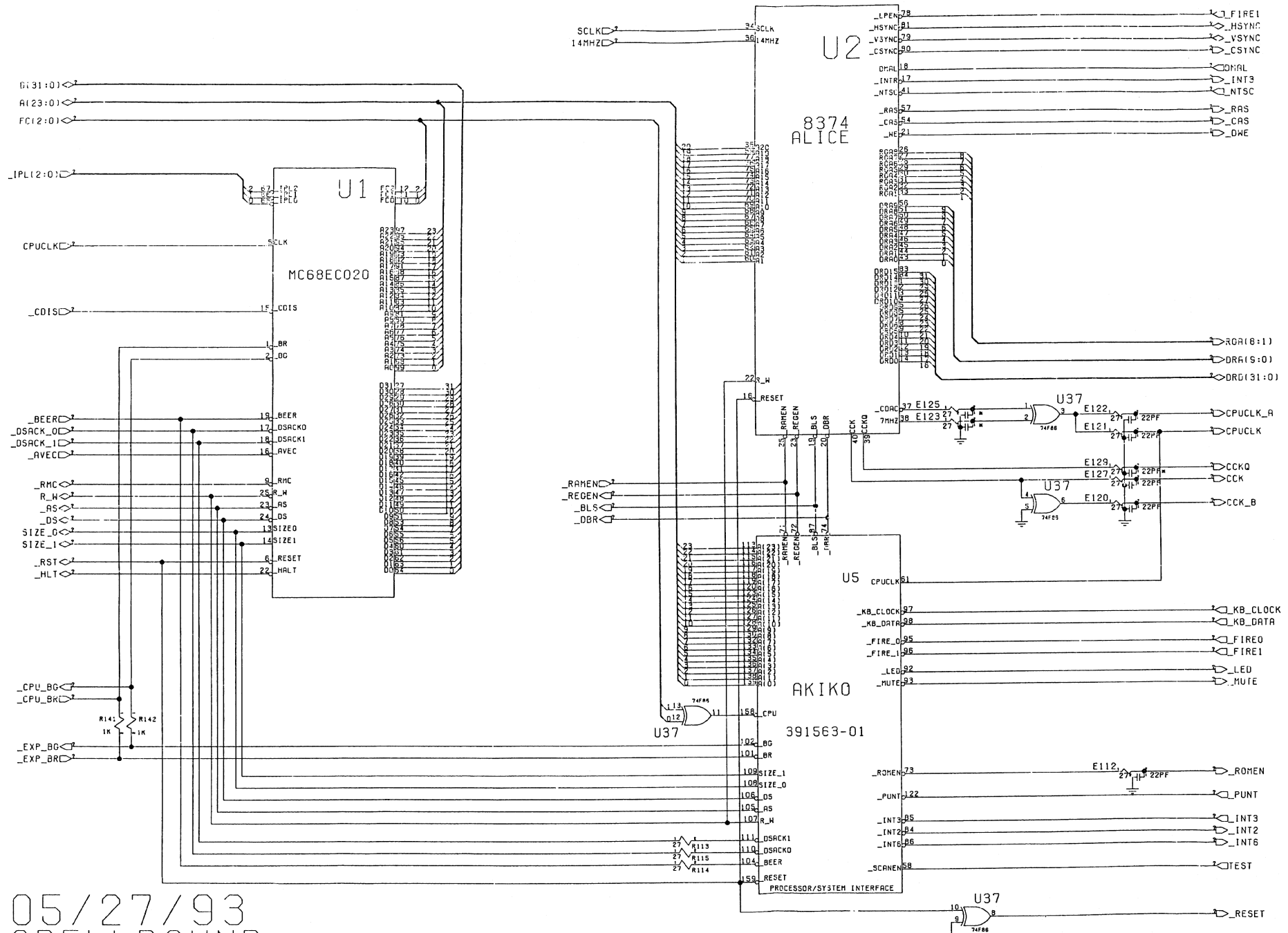
## *Amiga CD<sup>32</sup> PCB Assembly Schematics*

The PCB assembly schematics include:

- Processor and other useful components
- Memory
- Denise
- Paula
- CD ROM
- CD audio and headphone output
- Expansion bus
- User interface

In memory to Jay Miner and all developers of the Amiga system! Let the spirit survive!

Any commercial use of this material is prohibited!

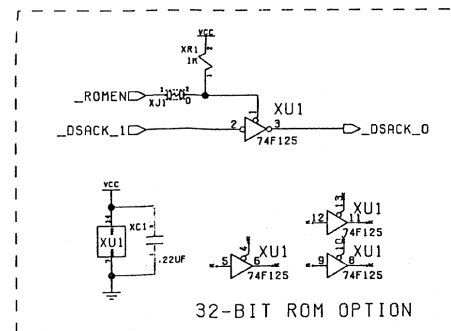
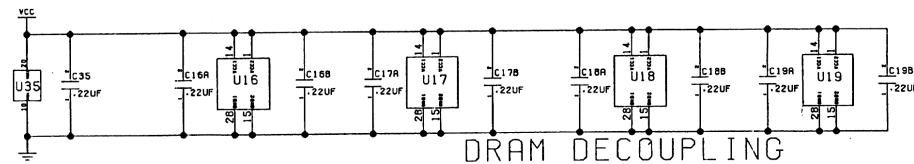
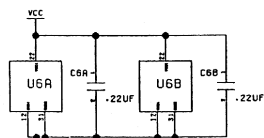
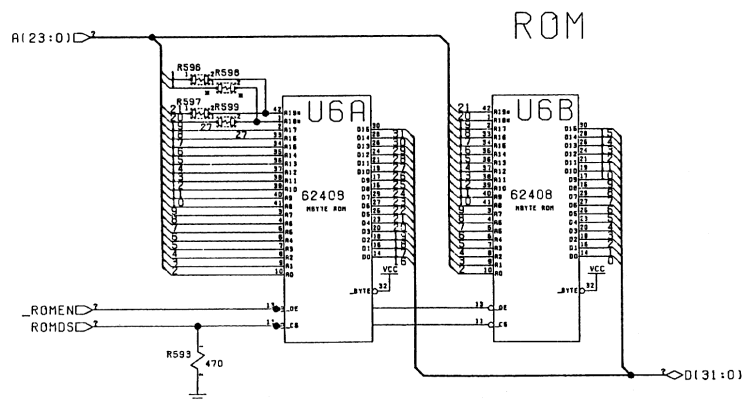
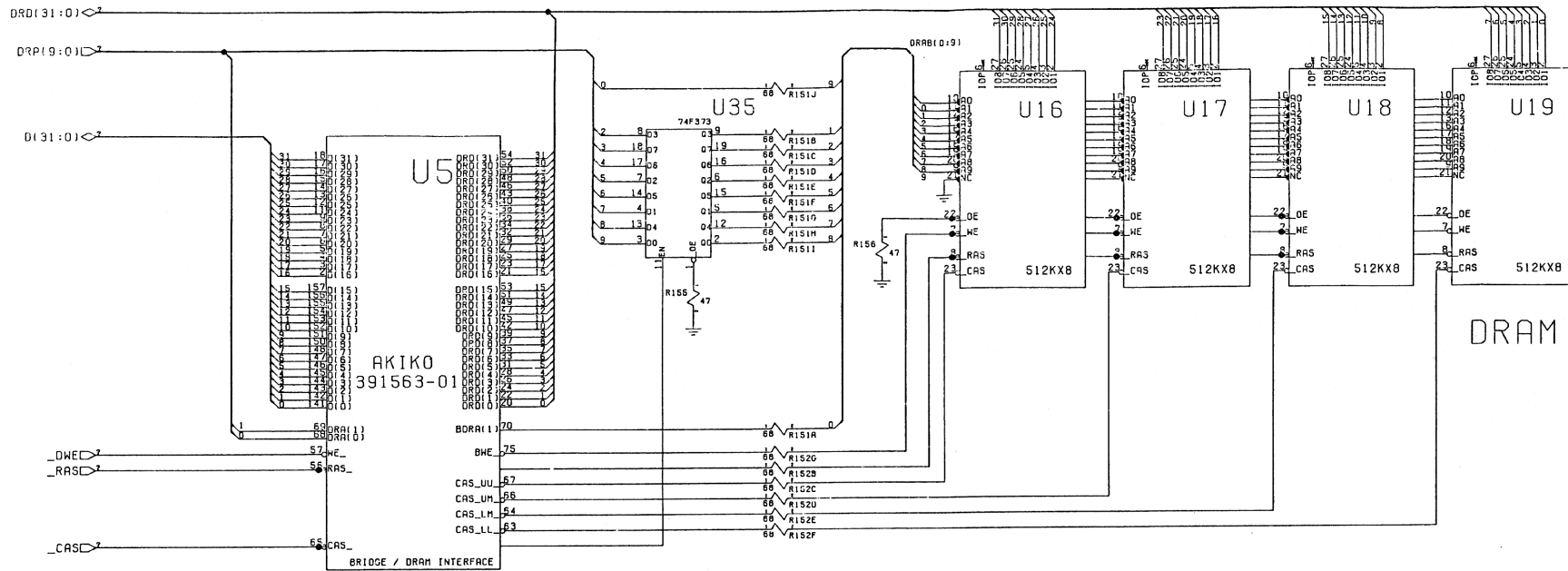


05/27/93  
 SPELLBOUND  
 CD/GS PLAYER PCB

NOTE: VARIOUS COMPONENTS ARE FOR EMI CONTROL  
 AND MAY BE LOADED WITH FUNNY THINGS...

PROCESSOR AND OTHER USEFUL COMPONENTS

<p>© 1992 COMMODORE BUSINESS SERVICES          INFORMATION CONTAINED HEREIN IS THE UNPUBLISHED          PROPERTY OF COMMODORE BUSINESS SERVICES, INC. AND USE          OF THIS INFORMATION IN ANY MANNER WITHOUT THE WRITTEN          PERMISSION OF COMMODORE IS EXPRESSLY PROHIBITED.</p> <p>C.A.D. GENERATED          NO MEANINGS CHANGE MAY BE MADE TO THIS DOCUMENT</p>	<p>COMMODORE          SYSTEM PLAYER          UNIT - "SPELLBOUND"          PART NO. 3951100          REV. 2 OF 10</p>
---	--



CD/GS PLAYER PCB

ROM DECOUPLING

MEMORY AND... WELL, I USED TO REMEMBER

© 1982 Commodore Business Machines Corporation. Commodore Business Machines is the service mark of Commodore Business Machines, Inc. All rights reserved. Reproduction or disclosure of this information without the prior written permission of Commodore Business Machines is strictly prohibited.

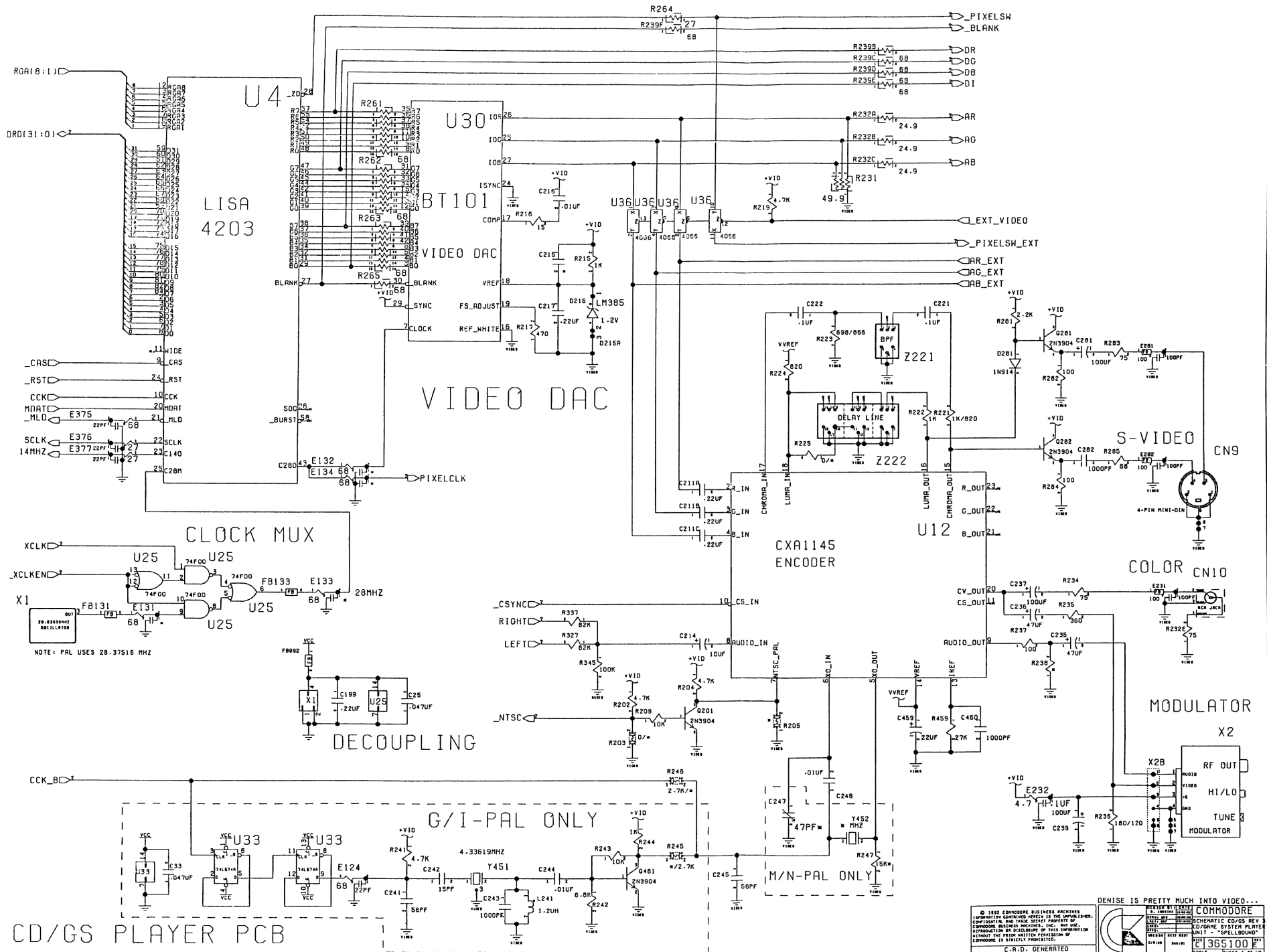
C.R.D. GENERATED

NO MANUAL CHANGES MAY BE MADE TO THIS DOCUMENT

UNIT - "SPELLBOUND"

365100

INDEX 3 OF 10



CD/GS PLAYER PCB

© 1987 Commodore Business Machines Corporation. Commodore and the Commodore logo are registered trademarks of Commodore Business Machines, Inc. All other trademarks are the property of their respective owners. Commodore is not responsible for any damage to your system or data caused by the use of this software without the prior written permission of Commodore Business Machines Corporation.

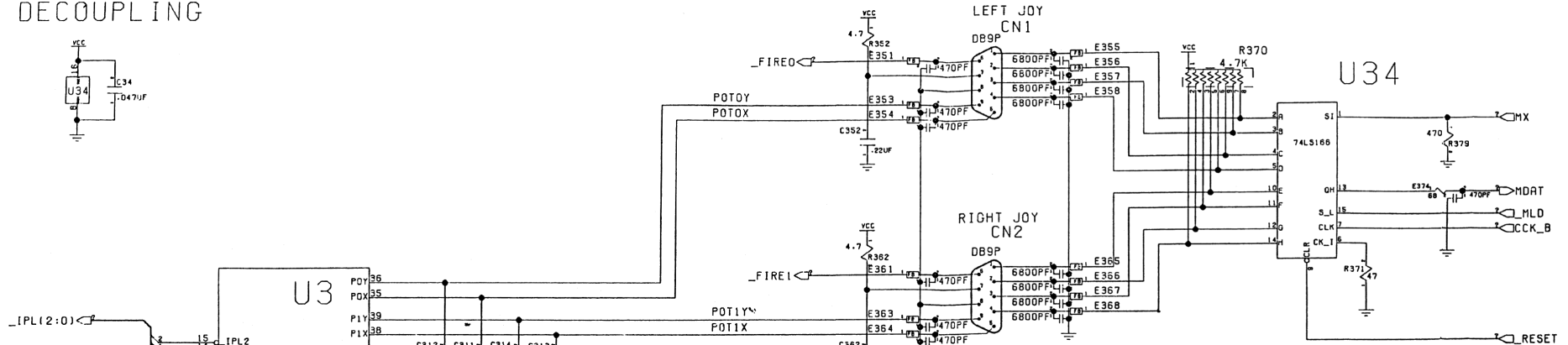
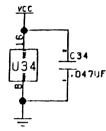
COMMODORE  
 COMMODORE BUSINESS MACHINES  
 5300 LAKE AVENUE  
 FORT LEWIS, COLORADO 80020  
 (303) 440-1200

REVISION: 1.0  
 DATE: 08/1987  
 DRAWN BY: JMM  
 CHECKED BY: JMM  
 APPROVED BY: JMM

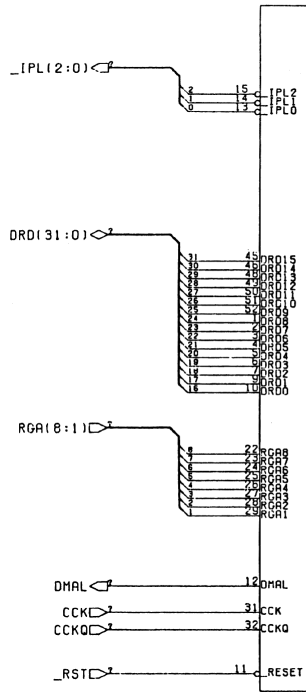
UNIT - "SPELLBOUND"  
 FILE - "365100.F"  
 SHEET 1 OF 10

C.R.D. GENERATED  
 NO MANUAL CHANGES MAY BE MADE TO THIS DOCUMENT

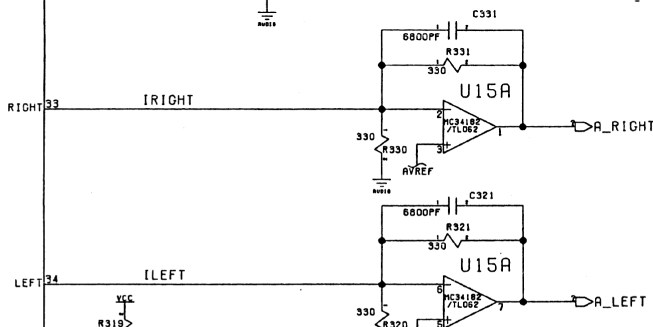
# DECOUPLING



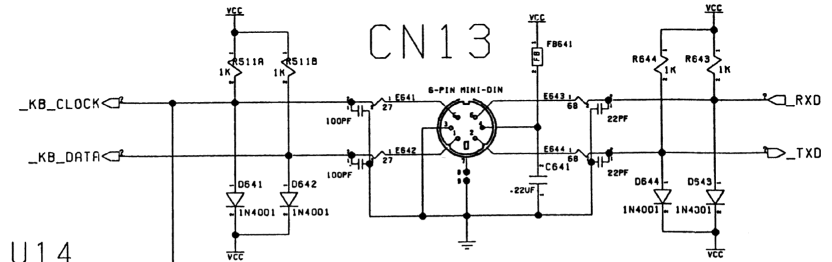
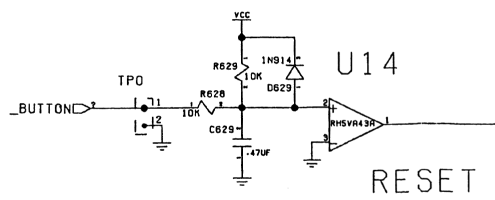
# MOUSE/JOYSTICK PORTS



# I -> V CONVERTER



# RESET



# KEYBOARD

CD/GS PLAYER PCB

PAULA PREFERS THE TRADITIONAL MODES

REVISION BY: [ ]

DESIGNED BY: [ ]

DATE: [ ]

PROJECT: [ ]

UNIT: [ ]

SCALE: [ ]

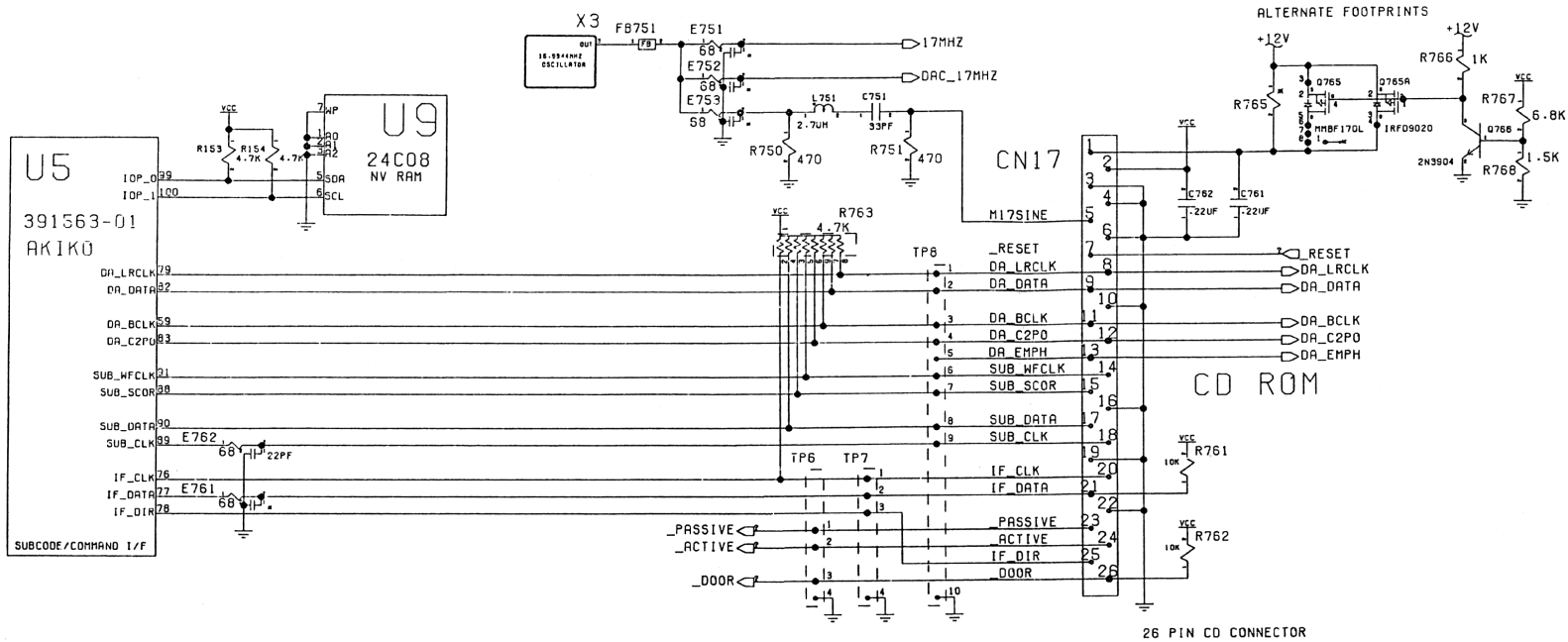
SHEET: [ ] OF [ ]

COMMODORE

© 1987 COMMODORE BUSINESS MACHINES. INFORMATION CONTAINED HEREIN IS THE UNPUBLISHED, CONFIDENTIAL, AND TRADE SECRET PROPERTY OF COMMODORE BUSINESS MACHINES. ANY USE, REPRODUCTION OR DISCLOSURE OF THIS INFORMATION WITHOUT THE PRIOR WRITTEN PERMISSION OF COMMODORE IS STRICTLY PROHIBITED.

C.A.D. GENERATED BY: [ ]

NO MANUAL CHECKS WERE MADE TO THIS DOCUMENT.

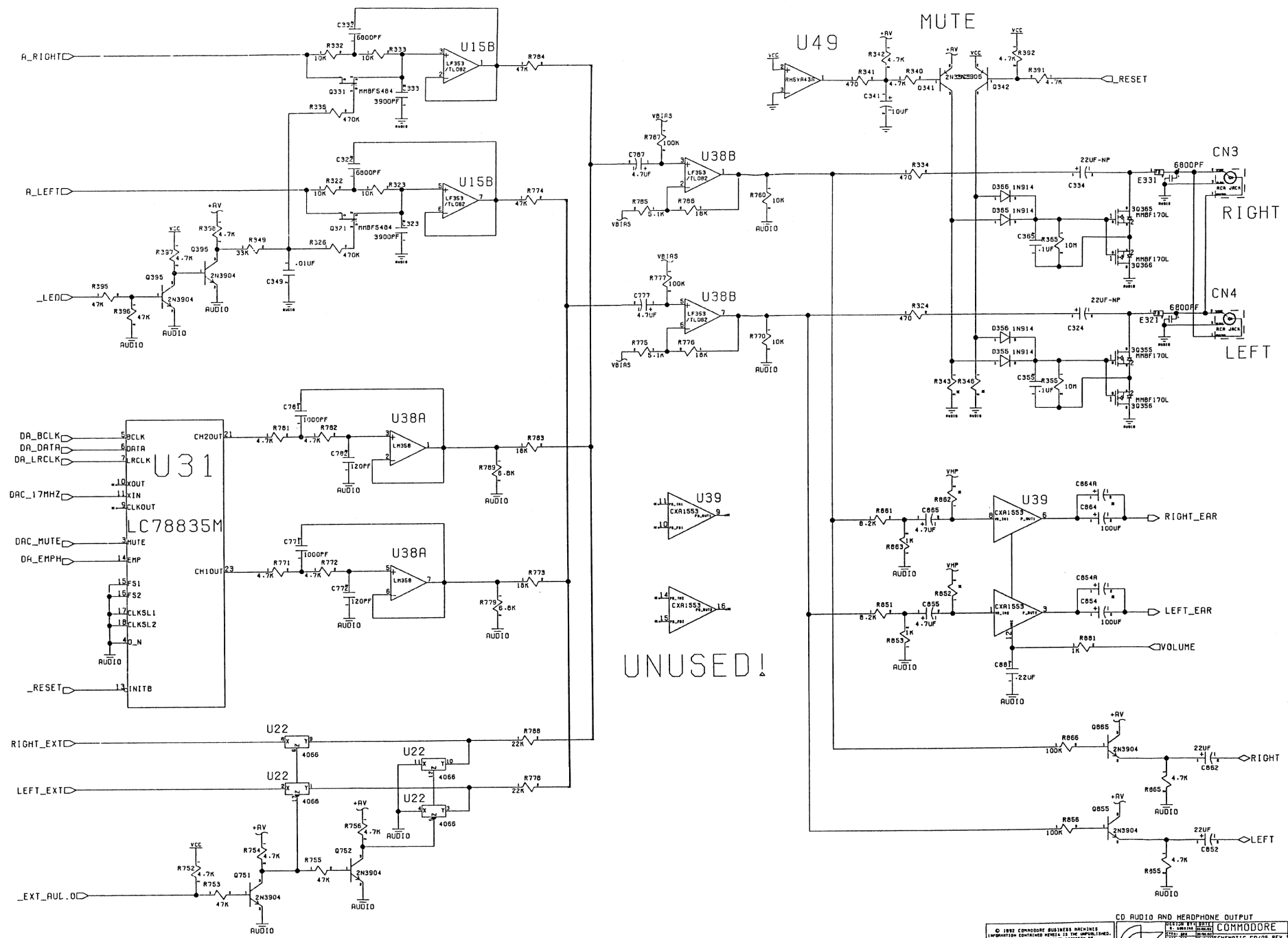


CD/GS PLAYER PCB

© 1992 COMMODORE BUSINESS MACHINES  
 COMMODORE BUSINESS MACHINES IS THE UNPAID  
 REGISTERED TRADEMARK OF COMMODORE INTERNATIONAL, INC. ALL RIGHTS RESERVED.  
 COMMODORE BUSINESS MACHINES, INC. HAS THE  
 RIGHT TO REPRODUCE OR TRANSMIT THIS INFORMATION  
 IN ANY FORM OR BY ANY MEANS WITHOUT PERMISSION IN WRITING FROM  
 COMMODORE INTERNATIONAL, INC. PERMISSION IS EXPRESSLY FORBIDDEN.

**COMMODORE**  
 SCHEMATIC CD/GS REV 3  
 DATE 08/92  
 DRAWN BY J. H. HARRIS  
 CHECKED BY J. H. HARRIS  
 SCALE 1:1  
 SHEET 6 OF 10

C.R.D. GENERATED  
 NO OTHER CHANGES MAY BE MADE TO THIS DOCUMENT



CD/GS PLAYER PCB

CD AUDIO AND HEADPHONE OUTPUT

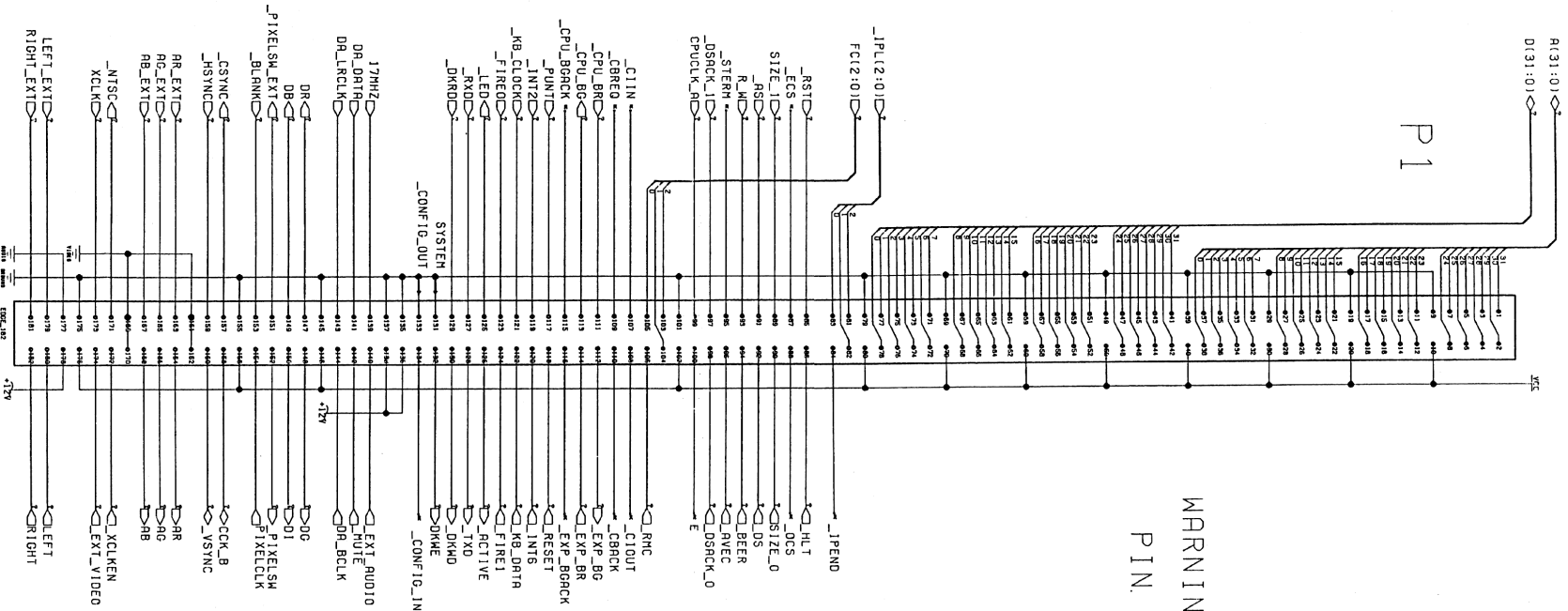
© 1992 COMMODORE BUSINESS SYSTEMS INC. ALL RIGHTS RESERVED. COMMODORE BUSINESS SYSTEMS INC. IS THE REGISTERED TRADEMARK OF COMMODORE BUSINESS SYSTEMS INC. THE COMMODORE AND CBM LOGOS ARE TRADEMARKS OF COMMODORE BUSINESS SYSTEMS INC. WITHOUT THE PRIOR WRITTEN PERMISSION OF COMMODORE BUSINESS SYSTEMS INC. NO PARTIAL CHANGES MAY BE MADE TO THIS DOCUMENT.

COMMODORE BUSINESS SYSTEMS INC. 15455 SHILOH ROAD FORT WORTH, TEXAS 76155-1100

COMMODORE CD/GS REV 3 SCHEMATIC CD/GS REV 3 CD/GS SYSTEM PLAYER UNIT - "SPELBOUND" PART # 365100 LEFT SCALE LEVEL 1 OF 10

C.R.D. GENERATED DATE: 2/22/92 11:58:11 AM

# EXPANSION CONNECTOR



WARNING:  
PIN NUMBERS ARE BACKWARDS

CD/GS PLAYER PCB

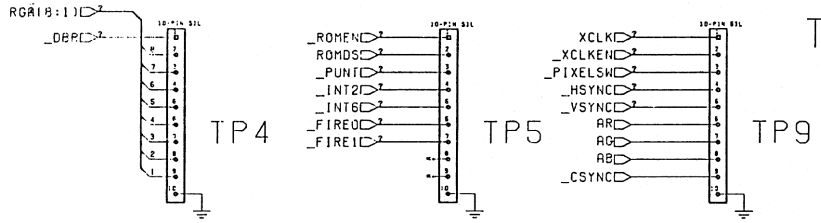
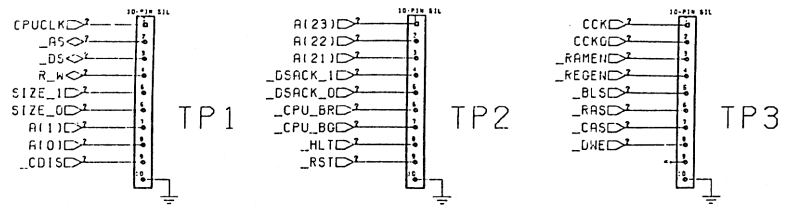
EXPANSION OR 13 IT MANIFEST DESTINY?

© 1992 CONNOR ELECTRONICS MANUFACTURING CORPORATION. ALL RIGHTS RESERVED. THIS DOCUMENT IS THE PROPERTY OF CONNOR ELECTRONICS CORPORATION. IT IS TO BE USED ONLY FOR THE PURPOSES SPECIFIED HEREIN. IT IS TO BE KEPT CONFIDENTIAL AND NOT TO BE DISCLOSED TO ANY OTHER PARTY WITHOUT THE WRITTEN PERMISSION OF CONNOR ELECTRONICS CORPORATION.

DATE: 01/13/92  
DRAWN BY: J. L. BROWN  
CHECKED BY: J. L. BROWN  
C-21-D-GENERATED

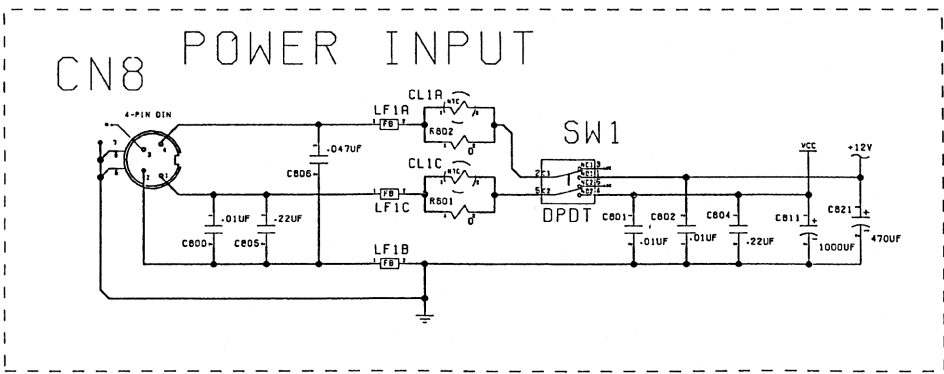
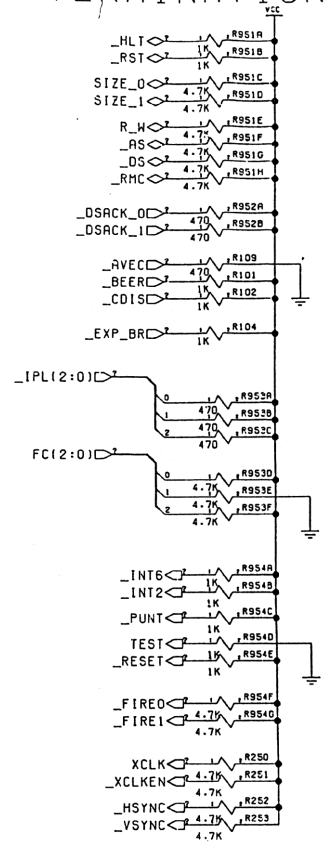
EXPANSION OR 13 IT MANIFEST DESTINY?  
PART NO. 3851100  
REV. 01



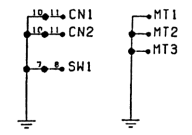


TEST ACCESS

TERMINATION



HOLES & C.



CD/GS PLAYER PCB

USER INTERFACE AND RELATED DEAD ENDS

© 1992 Commodore Business Machines Corporation. All rights reserved. Commodore Business Machines, Inc. and the Commodore logo are registered trademarks of Commodore Business Machines Corporation. All other trademarks are the property of their respective owners.

C.R.D. GENERATED

NO OTHER CHANGES MAY BE MADE TO THIS DOCUMENT.

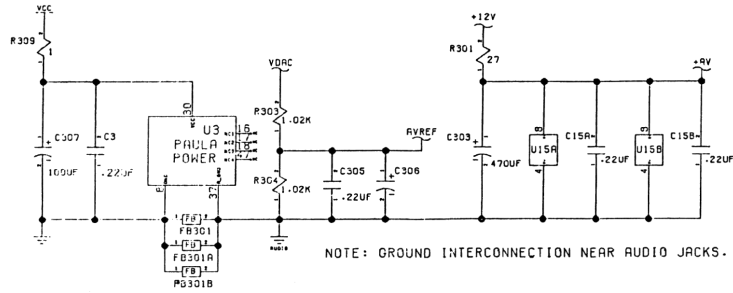
COMMODORE

CD/GS SYSTEM PLAYER

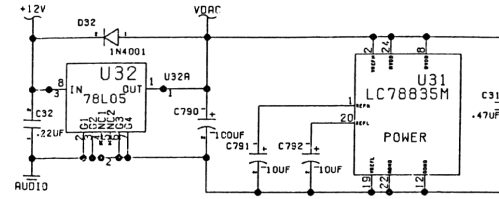
365100

REV. 1.0

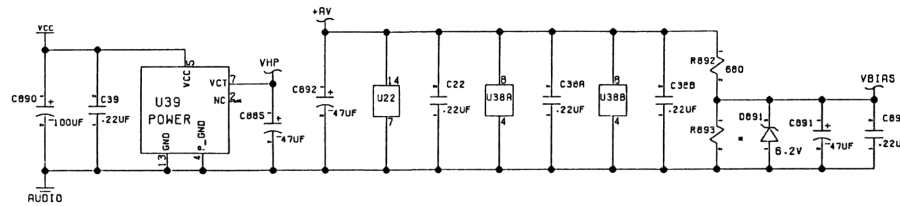
### PAULA/AUDIO DECOUPLING



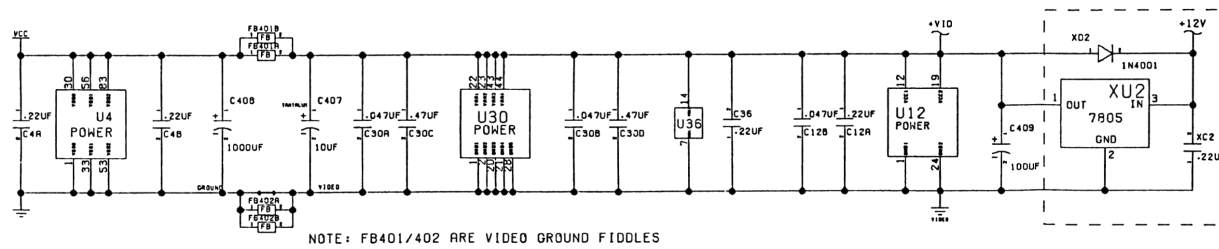
### CD/AUDIO DAC DECOUPLING



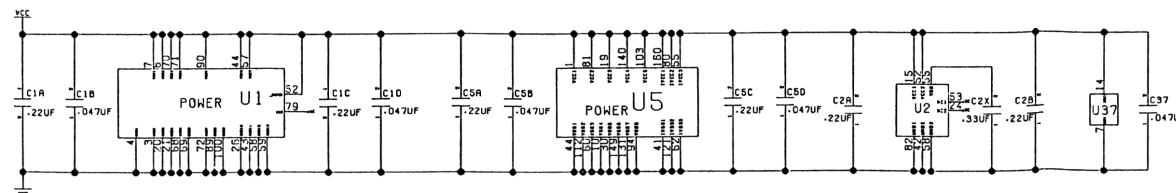
### HEADPHONE/AUDIO DECOUPLING



### VIDEO DECOUPLING



### PROCESSOR/GATOR/ALICE DECOUPLING



CD/GS PLAYER PCB

POWER MANAGEMENT & DECOUPLATION DETAIL

© 1992 COMMODORE BUSINESS MACHINES  
 INFORMATION CONTAINED HEREIN IS THE UNPUBLISHED  
 CONFIDENTIAL AND TRADE SECRET PROPERTY OF  
 COMMODORE BUSINESS MACHINES, INC. ANY DIS-  
 SEMINATION OR REPRODUCTION OF THIS INFORMATION  
 WITHOUT THE PRIOR WRITTEN PERMISSION OF  
 COMMODORE IS EXPRESSLY PROHIBITED.

COMMODORE  
 SCHEMATIC CD/GS REV  
 CD/GS SYSTEM PLAYER  
 UNIT - SPELLBOARD  
 1365100

C.R.D. GENERATED